

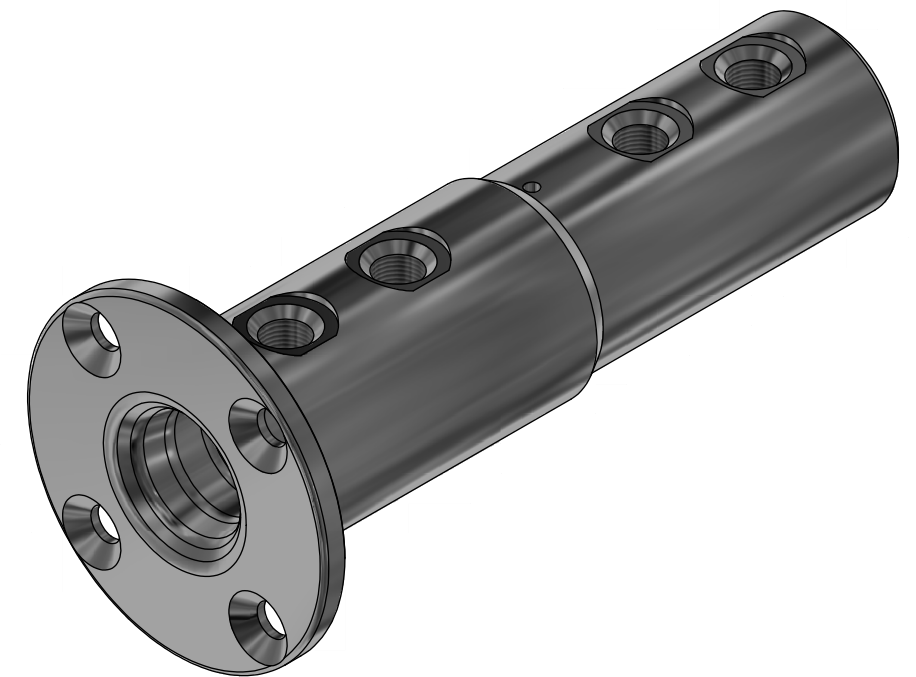
NOTE: 1
 DESIGN CODE:
 ISO 13628-8 Type A/API 6A

NOTE: 2
 TECHNICAL CLASSIFICATION:
 Article Type: 001-Hot Stabs
 Main Group: 1.02. Ø35/Ø43 Hot Stab
 Intermediate Group: 1.3.02. Receptacle
 Sub Group: 1.3.10.04. Quad

NOTE: 3
 INTERFACE INFORMATION:
 Pressure Rating Bar: 690
 Material: S32750 SUPER DUPLEX
 Weight: 8,9 kg
 Volume: 1,13 dm³
 Surface Area: 1434 cm²
 Hydraulic: BSP 1/2"
 Mechanical: 4xØ14 Countersunk@PCD 110
 Electrical: N/A
 Com. & Protocol: N/A

NOTE: 4
 WEB LINK:
<http://e-sea.bluelogic.no/main.aspx?page=article&artno=BA5876>

NOTE: 5
 ADDITIONAL INFORMATION:
 Other hydraulic port interface can be delivered on customers request.



Rev.	Date	Reason for issue	Revision change	Made	Chk'd	Appr.
01	4.11.2014	9-IFU (Issued for Use)		HNJ	LGH	HNJ

BLUE LOGIC

This Drawing is the Property of Blue Logic AS © and must Not be Loaned, Reproduced or Transferred to others without written Permission

Dwg Scale:	NTS
Dwg Proj:	
Dwg Format:	A3

Drawing title:	Ø35/Ø43 QP Rec 10k Interv BSP 1/2" wFlange	
Drawing number:	BA5876	Rev. 01